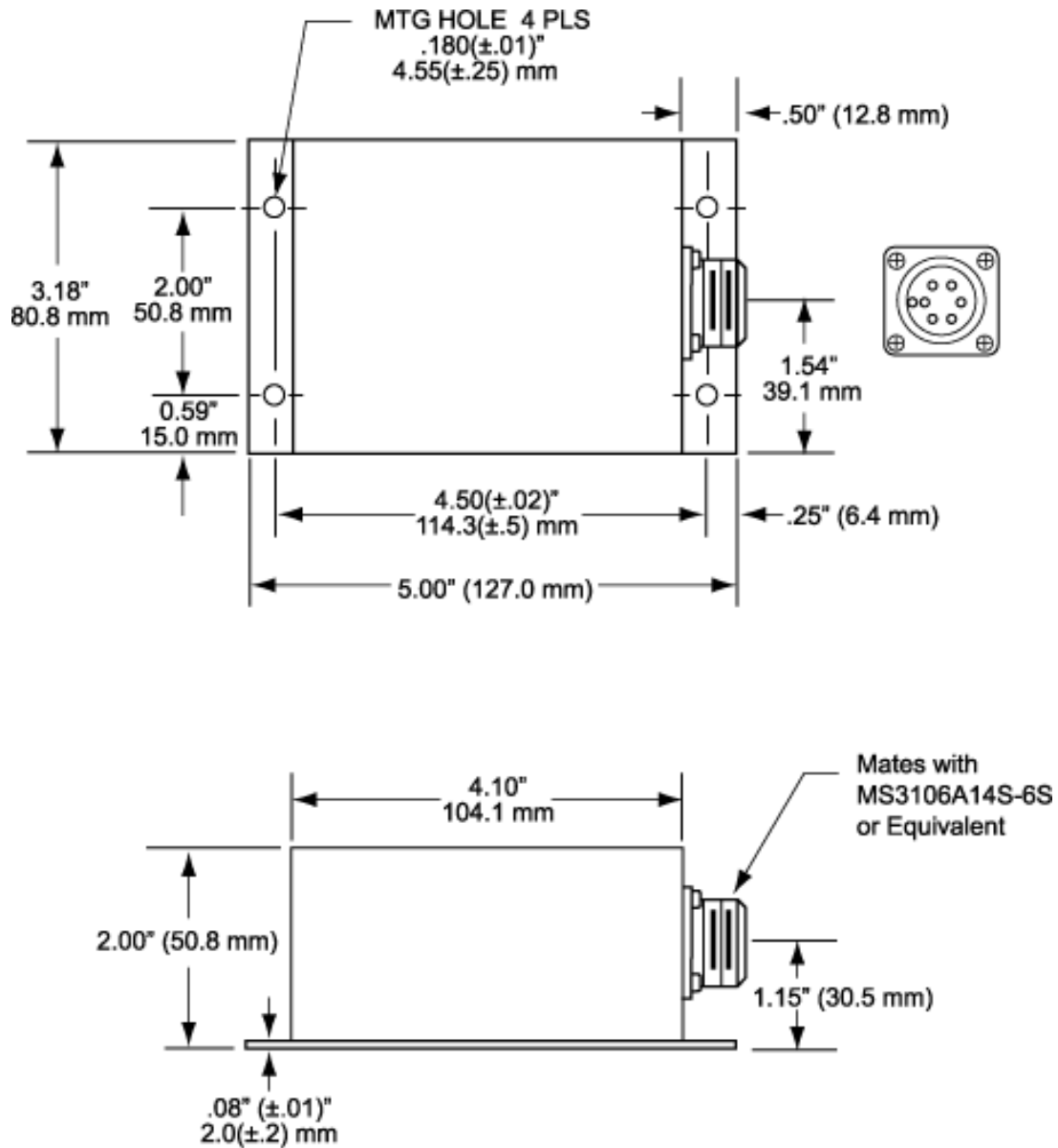


SC3, SC3(A)

TSO'd 30 VA STATIC INVERTER
(28 Vdc to 400Hz Sinewave)

Outline Drawing



NOTES

1. Dimensional tolerance is $\pm .06"$ (± 1.52 mm) unless specified.
2. The dimensions shown do not include protrusion of screw heads.